

# Carbon Cycle Site Set-up - Data Sheet

School Name: \_\_\_\_\_

Date/Time: \_\_\_\_\_  
 Year                      Month                      Day                                      Hour (local)                      Hour (UT)

Recorded By: \_\_\_\_\_

## SITE LOCATION

Site Type (circle all that apply):

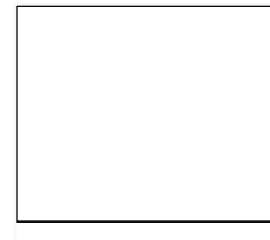
Atmosphere      Carbon Cycle      Hydrology      Landcover      Pheology      Soil

Site Name: \_\_\_\_\_

City/State/Country: \_\_\_\_\_

Shape of Site:    Square    Rectangle    Circle    Other (sketch)

Site Dimensions (meters): \_\_\_\_\_



## SITE VEGETATION ASSESSMENT

Are there Trees (circle one)?      Yes              No

% Cover shrubs/sapling:      \_\_\_\_\_      \_\_\_\_\_      \_\_\_\_\_      \_\_\_\_\_      Average: \_\_\_\_\_  
    Team              Team              Team              Team  
    Member 1      Member 2      Member 3      Member 4

% Cover herbaceous:      \_\_\_\_\_      \_\_\_\_\_      \_\_\_\_\_      \_\_\_\_\_      Average: \_\_\_\_\_  
    Team              Team              Team              Team  
    Member 1      Member 2      Member 3      Member 4

## METADATA (Comments)

\_\_\_\_\_

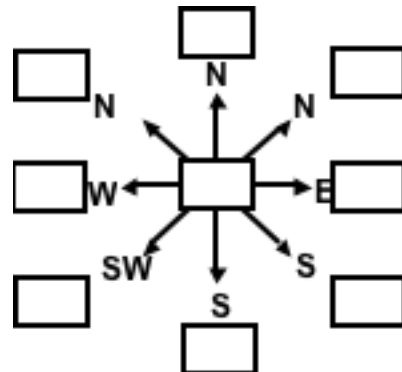
\_\_\_\_\_

\_\_\_\_\_

\_\_\_\_\_

\_\_\_\_\_

## PHOTO NUMBER AND ORIENTATION FROM SITE CENTER



# GPS Investigation - Data Sheet

School Name: \_\_\_\_\_ Date: \_\_\_\_\_

Site Type (circle all that apply):

Atmosphere    Carbon Cycle    Hydrology    Landcover    Pheology    Soil

Site Name: \_\_\_\_\_

Recorded By: \_\_\_\_\_

- Do not begin recording data until GPS receiver has “locked in.”
- Wait at least one minute between recording observations.
- Record the following data form the appropriate screens on your GPS unit.

|   | Latitude<br>Decimal degrees<br>N/S | Longitude<br>Decimal degrees<br>E/W | Elevation<br>(Meters) | Time<br>H:M:S UTC | # Sats<br>Satellites | Messages<br>Circle if Shown |
|---|------------------------------------|-------------------------------------|-----------------------|-------------------|----------------------|-----------------------------|
| 1 |                                    |                                     |                       |                   |                      | 2D   3D                     |
| 2 |                                    |                                     |                       |                   |                      | 2D   3D                     |
| 3 |                                    |                                     |                       |                   |                      | 2D   3D                     |
| 4 |                                    |                                     |                       |                   |                      | 2D   3D                     |
| 5 |                                    |                                     |                       |                   |                      | 2D   3D                     |

|  |  |  |            |
|--|--|--|------------|
|  |  |  | ← Averages |
|--|--|--|------------|

## GPS Unit Information

Brand Name: \_\_\_\_\_

Model Number: \_\_\_\_\_